

CHALLENGES TO PARALLELING

Static Current Mismatch

Static current mismatch is a mismatch in current between parallel parts after switching transients have settled. This is especially a concern for parts with inherent thermal instability, or in other words, parts with a negative temperature coefficient of on-resistance as in older Si diodes and punch-through IGBTs. Parts with a negative TC can be successfully paralleled if the part-to-part variation (distribution) of on-resistance is sufficiently narrow (binned parts) and margin is added to account for inevitable current mismatch.

There is a widespread myth that a positive temperature coefficient in on-resistance forces uniform current sharing and consequently facilitates paralleling. In reality, a positive TC *only ensures thermal stability*. The belief in the power of a positive TC over current sharing is reinforced by the narrow parameter distributions of modern power semiconductors, including SiC JFETs, SiC MOSFETs, field stop IGBTs, etc. It is parameter distribution and common heat sinking that determine static current sharing.

Dynamic Current Mismatch

Dynamic current mismatch is caused by part-to-part threshold voltage variation that is inherent in MOS-gated and JFET devices, by asymmetry in current loops, and by variation in propagation delay between gate drivers if applicable. A part with lower threshold voltage switches on sooner and off later and consequently has more hard-switching loss. This is more of a concern at very high switching frequencies.

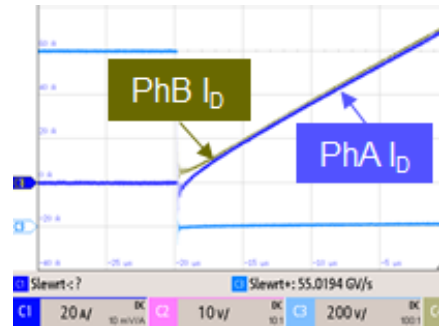


Figure 2. Dynamic Current Mismatch Due to Threshold Voltage Mismatch

Figure 2 shows the dynamic mismatch at turn-on of two parallel cascodes. The current mismatch quickly shrinks, which is typical because steady state current sharing is dominated by $R_{DS(on)}$. Using maximum $R_{DS(on)}$ and $R_{\theta JC}$ datasheet values in calculations provides safety margin to accommodate static and dynamic current mismatch when paralleling.

Parallel Oscillation

Parallel oscillation can be a problem with high gain, fast switching parts. This is especially a concern with the SiC JFET cascode (hereafter known as cascode for short) due to two active devices inside: a low-voltage Si MOSFET and a SiC JFET. Sustained parallel oscillation, as in Figure 3, risks device failure due to exceedingly high switching loss. It can be difficult to observe the oscillation with an oscilloscope. Waveforms can look fine, and within only a couple switching cycles, oscillation can begin. There are various possible causes for this, such as variations in load current, voltages, and temperature. It is mainly caused by the fast switching of the cascode, especially at high current when di/dt and dv/dt become even faster.

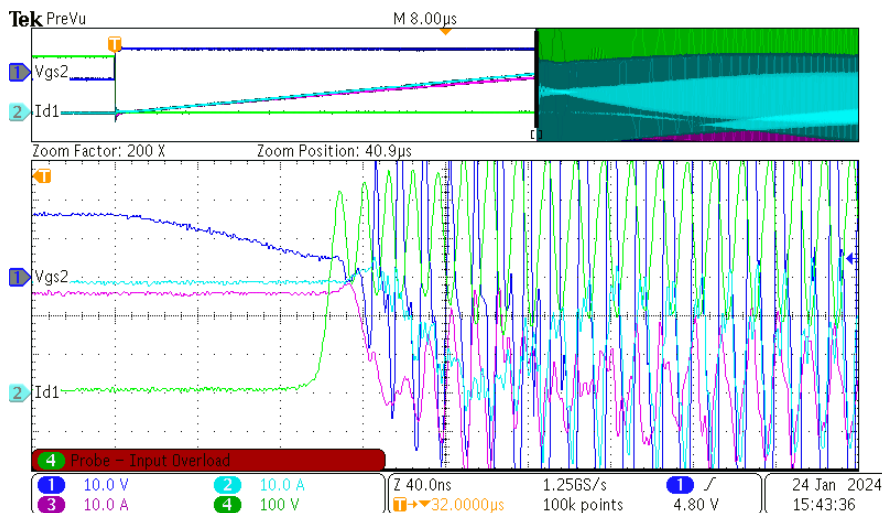


Figure 3. Two Parallel Cascodes Going into Sustained Parallel Oscillation During Double-pulse Testing

Despite the complexity, it is useful to analyze the operation of two parallel cascodes including relevant capacitances and inductances, as shown in Figure 4 for

cascodes with a Kelvin-source pin. The TO-247-3L and D2Pak-3L packages have no Kelvin-source pin, and this situation is discussed later.

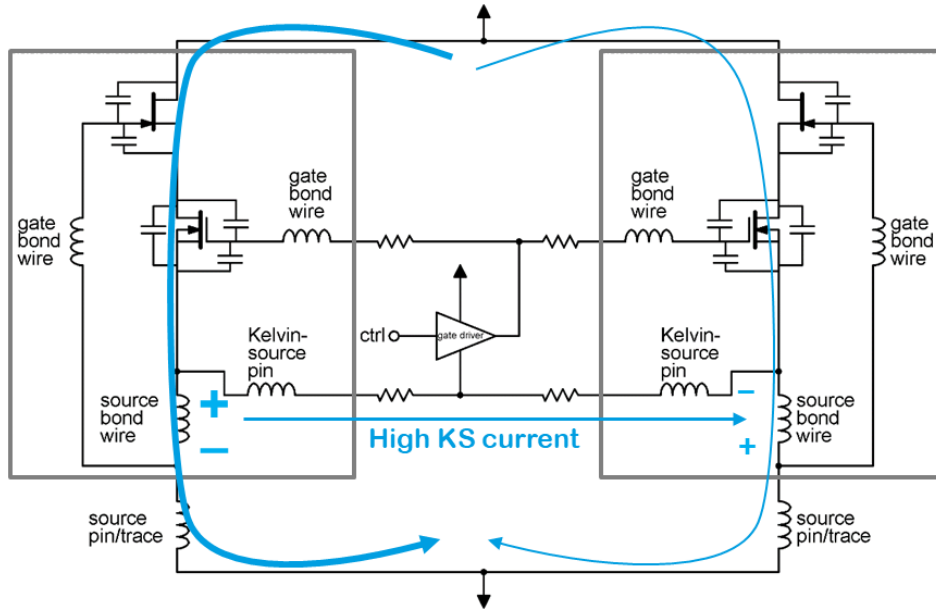


Figure 4. Two Parallel Cascodes Turning On with Dynamic Current Mismatch

As already mentioned, dynamic current mismatch is practically unavoidable due to variations in threshold voltages, and possibly compounded by asymmetry in the circuit layout. In Figure 4, we can imagine two cascodes switching on, with the one on the left switching on slightly sooner than the one on the right. Higher current in the left

cascade causes higher voltage to develop across the left side source inductances. In extreme cases, current in the right cascode can flow momentarily in the reverse direction. In any case, the source voltage mismatch induces current to flow through the Kelvin-source connections, as indicated in Figures 4 and 5.

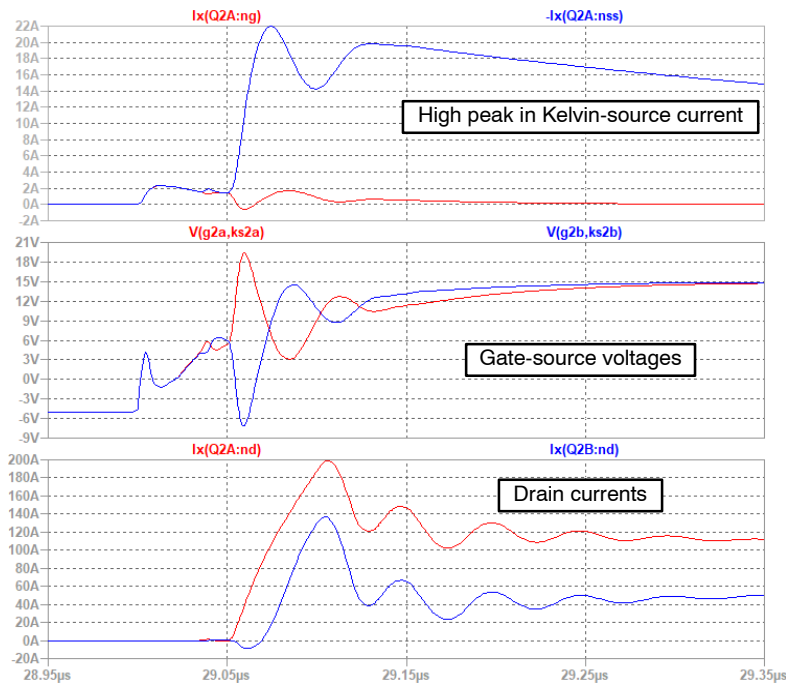


Figure 5. Top: Kelvin-source Current Greatly Surpasses Gate Current
Middle and Bottom: V_{GS} and I_D of Each Cascode

Figure 5 shows the simulation results of two parallel UF3SC120009K4S hard-switching on with an inductive load. Each part has a 680 pF plus 4.7 Ω drain-source snubber. One cascode has 10% lower than typical and the other 10% higher than typical threshold voltage for both the JFET and MOSFET, thus inducing dynamic current mismatch. This is a plausible situation, even if unlikely. There is no added Kelvin-source impedance. The top graph shows high peak Kelvin-source current greatly surpassing the cascode gate current. Ideally, the gate and Kelvin-source currents are equal in magnitude (differential). The cascode gate-source voltages in the middle graph show out of phase ringing, a tell-tale indicator of imbalanced gate-source voltages, which under certain circumstances can escalate into a sustained, destructive parallel oscillation. The bottom graph of Figure 5 shows the mismatch in drain currents that ultimately causes the large Kelvin-source current. The dynamic current mismatch settles to near zero steady state.

Source and/or drain inductance mismatch also causes dynamic mismatch. Combining this with random threshold voltage variations can make parallel oscillation occur randomly, especially with a cascode because both JFET and MOSFET threshold voltage variation cause dynamic current mismatch.

A seemingly simple solution is to move all the gate loop resistance to each Kelvin-source connection, or as much as possible if different turn-on/off resistances are used, as shown in Figure 6(b). This can however result in sustained oscillation. Why? The peak Kelvin-source current is certainly reduced by the increased Kelvin-source resistance. However, consider that the charge to/from the gate-drain capacitance of the cascode's MOSFET is through the cascode's gate resistor. Less gate resistance allows higher peak gate current, higher peak dV_{DS}/dt of the MOSFET, and consequently higher peak dV_{GS}/dt of the JFET. Furthermore, the gate resistance provides damping for the

MOSFET output capacitance – source inductance and other LC tank circuits. Moving all gate loop resistance to the Kelvin-source connection removes damping from the cascode's MOSFET gate, which combined with a large mismatch in gate versus Kelvin-source current can result in oscillation.

How can we maximize gate damping while minimizing the mismatch between gate and Kelvin-source currents? First, we leave the gate resistance for each cascode in the gate connection instead of in the Kelvin-source connection. We need to maximize damping of each gate, so no common gate resistor should be used, see Figure 6(a). Put all gate resistance in each cascode gate connection. Follow the [User Guide](#) recommendations of gate resistor values for initial testing. Second, we could add a common-mode choke (CMC) or differentially coupled inductors to the gate and Kelvin-source connections, as in Figure 7(a). This forces the gate and Kelvin-source current magnitudes to match more closely. Experiments demonstrated that sustained oscillations were eliminated with a CMC impedance of at least 100 Ω at 10 MHz, such as Pulse AWCU00453226223TT2, or Bourns SRF4530A-220Y, or similar. Exact values are not critical; especially because the CMC has no effect on delay times. Third, snubbers must be installed when paralleling. In addition to reducing switching slew rates, a snubber also damps ringing with the snubber resistor. Hence adding snubbers greatly reduces the likelihood of oscillation. Finally, minimize the gate resistance by relying on the snubbers to set the switching speed as much as possible. This is counterintuitive but is explained in the Cascode Primer. The User Guide gate resistor recommendations are minimal values for clean switching. Parallel parts can share a common snubber, or there can be a separate snubber for each cascode. The important points are layout symmetry and minimum inductance in the snubber connections.

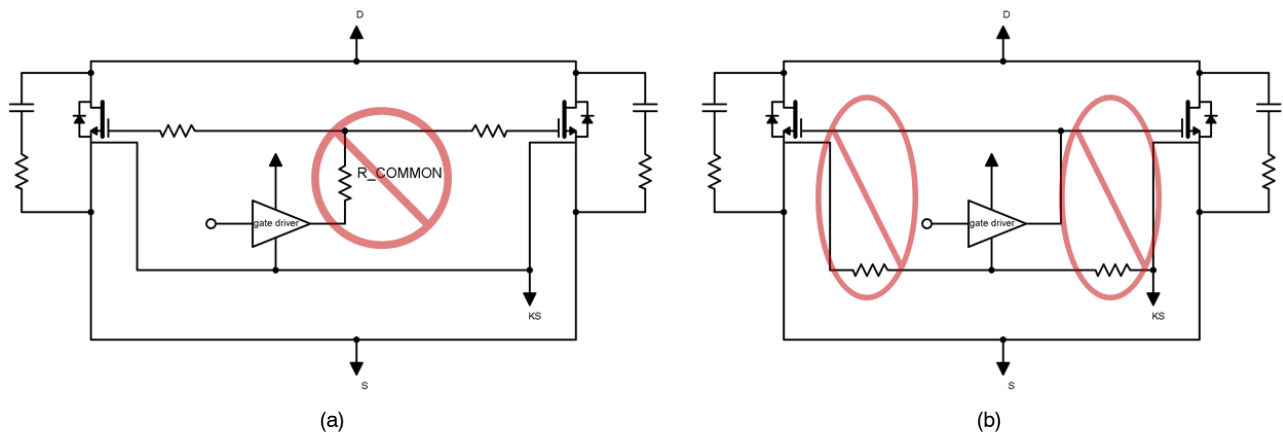


Figure 6. Things to Avoid when Paralleling

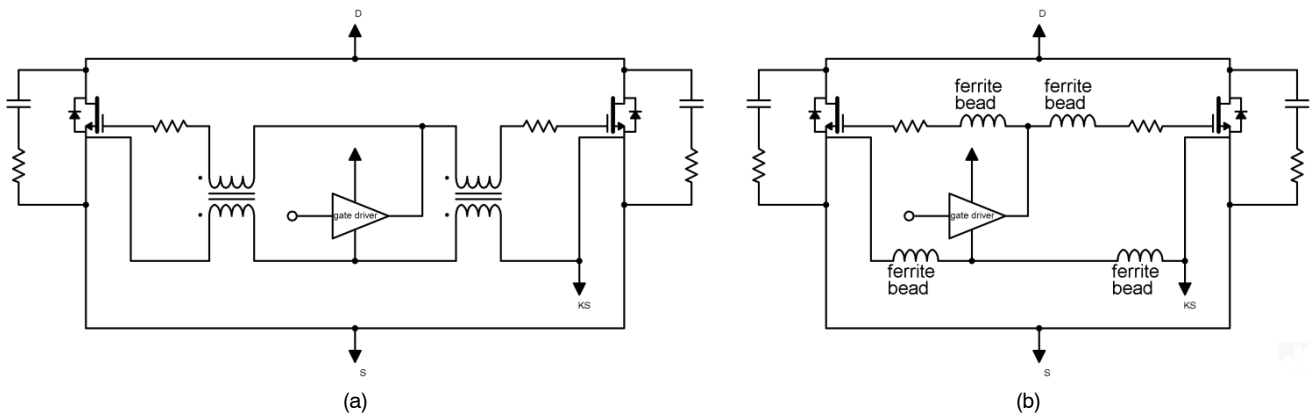


Figure 7. Recommended Paralleling Methods with Kelvin-source

Routing of traces can be challenging with common-mode chokes. A ferrite bead on the other hand can be very small and easier to fit in a tight board layout, as in Figure 7(b). A ferrite bead in each Kelvin-source and gate connection works to avoid oscillation, as with a CMC. Unlike the CMC, however, the ferrite beads cause a noticeable increase in delay times. Recommended impedance range is 70 to 400 Ω at 100 MHz, such as Bourns MU2029-301Y. As with the addition of CMCs, prevention of oscillations was demonstrated with a ferrite bead in both the Kelvin-source and gate connections in addition to the usual gate resistor in the gate connection.

Other Design Tips

As mentioned before, snubbers are usually required with cascodes, and they are especially needed when paralleling. The drain-source snubber reduces switching slew rates, making oscillation less likely to begin. See the [User Guide](#) for more information.

DC link capacitance and decoupling capacitance must be close to the cascodes to minimize inductance. Surface mount ceramic capacitors (DC link) next to the cascodes combined with bulk film and/or aluminum electrolytic capacitors (decoupling) is recommended.

Symmetrical power layout is important. High current, say greater than 100 A, with high di/dt slew rate can magnetically “push” current flowing in adjacent devices and conductors to one side, causing current imbalance and other noise related disturbances.

Sufficient bypass capacitance near the gate driver and its power supply is necessary; insufficient capacitance here can cause oscillations. Surface mount ceramic capacitors are recommended.

Gate traces *can* be long, and because we are generally not dealing with switching frequencies in the MHz range, they can be of different length without impact. Gate traces must however be shielded, preferably by a power plane on an adjacent circuit board layer. Never cross gate traces over power plane boundaries.

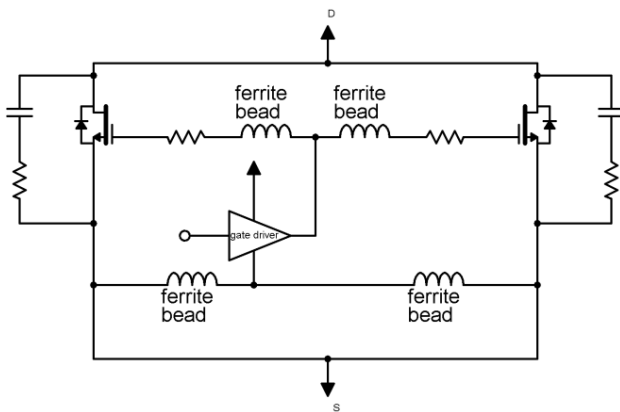


Figure 8. Recommended Paralleling Method without Kelvin-source

Parts Without Kelvin-Source

Paralleling parts without a Kelvin-source pin is possible. In general, however, it is better to parallel parts *with* a Kelvin-source pin because the elimination of load current in part of the gate drive loop greatly reduces gate ringing. Without a Kelvin-source pin, the recommendation is to install a ferrite bead in both the gate and the gate drive return connection to each cascode source, as shown in Figure 8. This drawing is conceptual only. Depending on the gate driver, when using a negative turn-off voltage, the gate drive return may connect to the gate drive power supply instead of directly to the gate driver.

DEMONSTRATION AND TEST RESULTS

A demonstration board was designed following the guidelines mentioned above, and test results are shown for four devices:

- UJ4SC075006K4S
- UJ4C075023K4S
- UF3SC120009K4S
- UF3SC120016K4S

Demonstration Board Design

Figure 9 shows the demonstration and test setup, there are one half bridge topology power board with two devices in parallel and one gate driver board.

AND90327/D

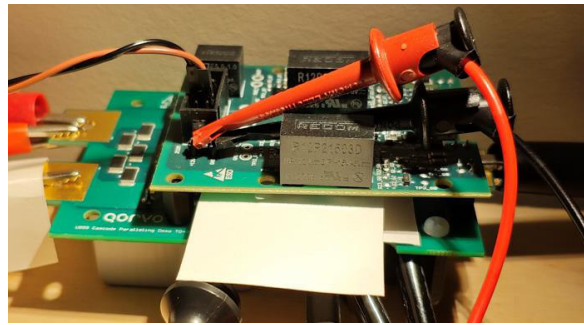
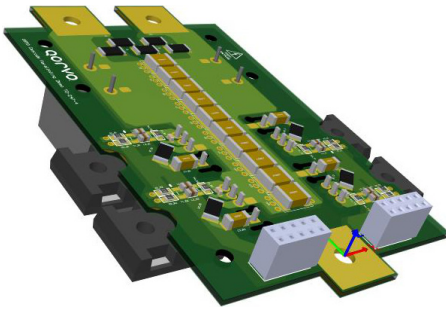


Figure 9. Demostration Board and Test Setup Picture

This demonstration adapts the recommendations of symmetric design of both power loop and gate drive circuits. Also, the DC link capacitor and the decoupling capacitors are symmetrical to minimize the commutation loop.

Figure 10 and 11 gives the schematics of demonstration design, the ferrite beads and common-mode choke are implemented (options) for exploration of effects under different conditions.

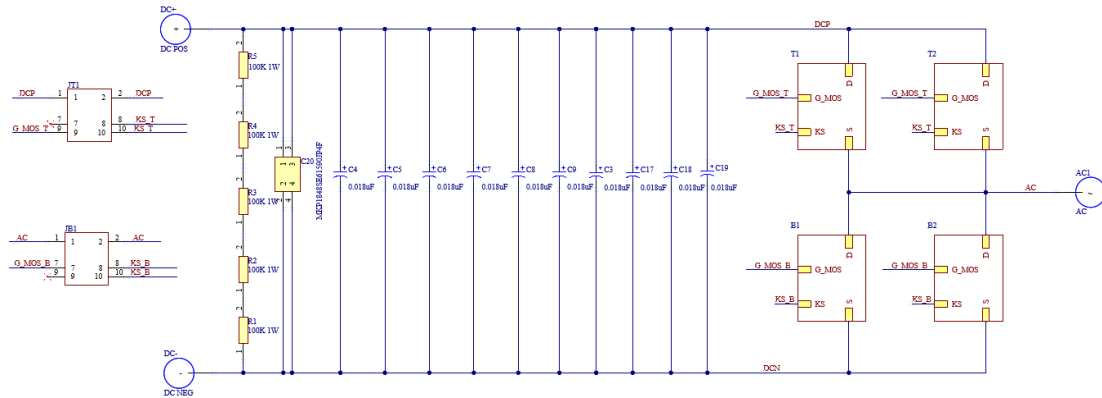


Figure 10. Demonstration Design Schematics

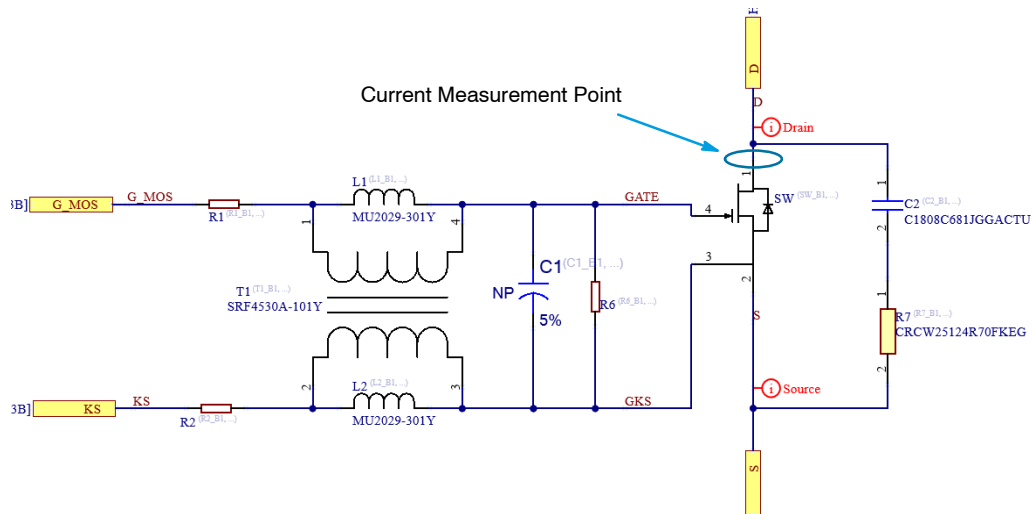


Figure 11. Demonstration Design Schematics

Figure 12 shows the PCB layout of the power board:

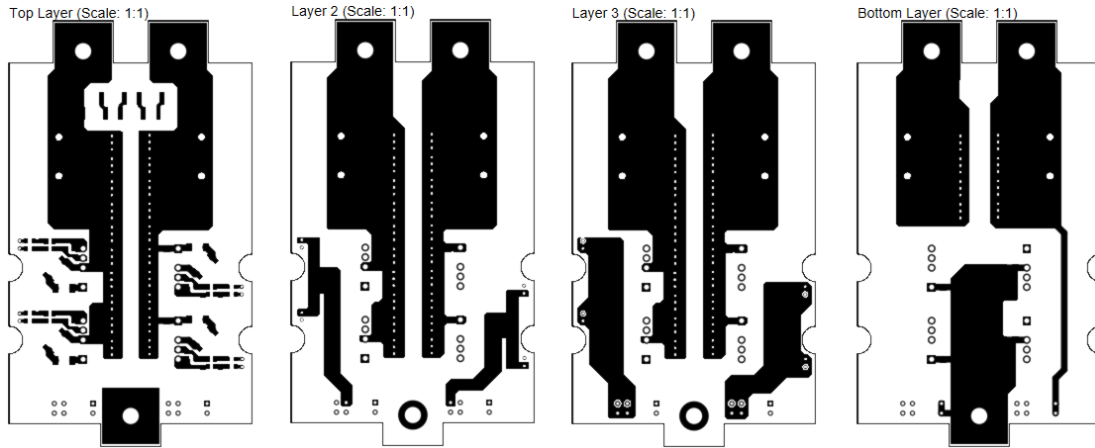


Figure 12. Demonstration Power Board PCB Layout

Figure 13 shows the demonstration design of device RC snubber and gate circuit layout, the key of this design

example is to minimize the RC snubber distance to device and symmetric layout of gate circuit for devices in parallel.

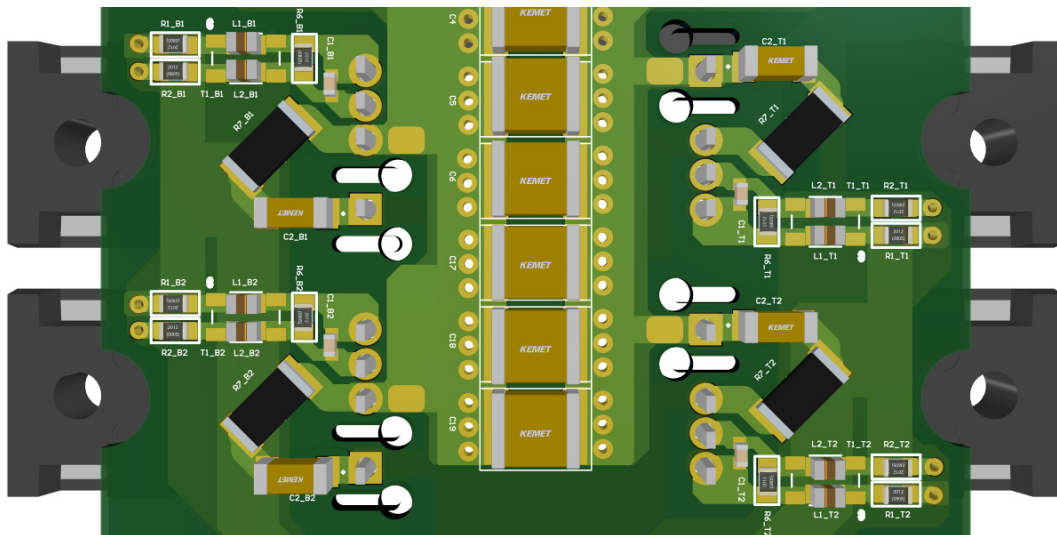


Figure 13. Demonstration Power Board PCB Layout

Test Results

Figure 14 to Figure 17 show the test results SiC FET paralleling of this demonstration design, with ferrite beads on both gate and Kelvin-source.

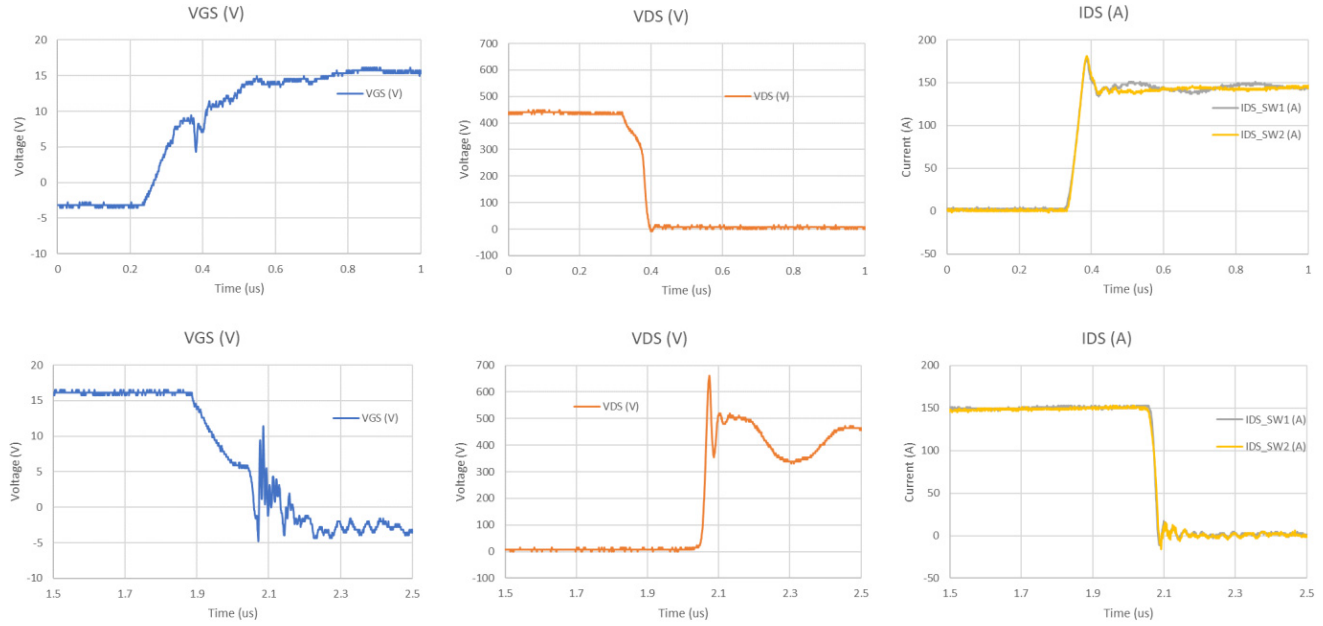


Figure 14. Waveforms of Switching – UJ4SC075006K4S

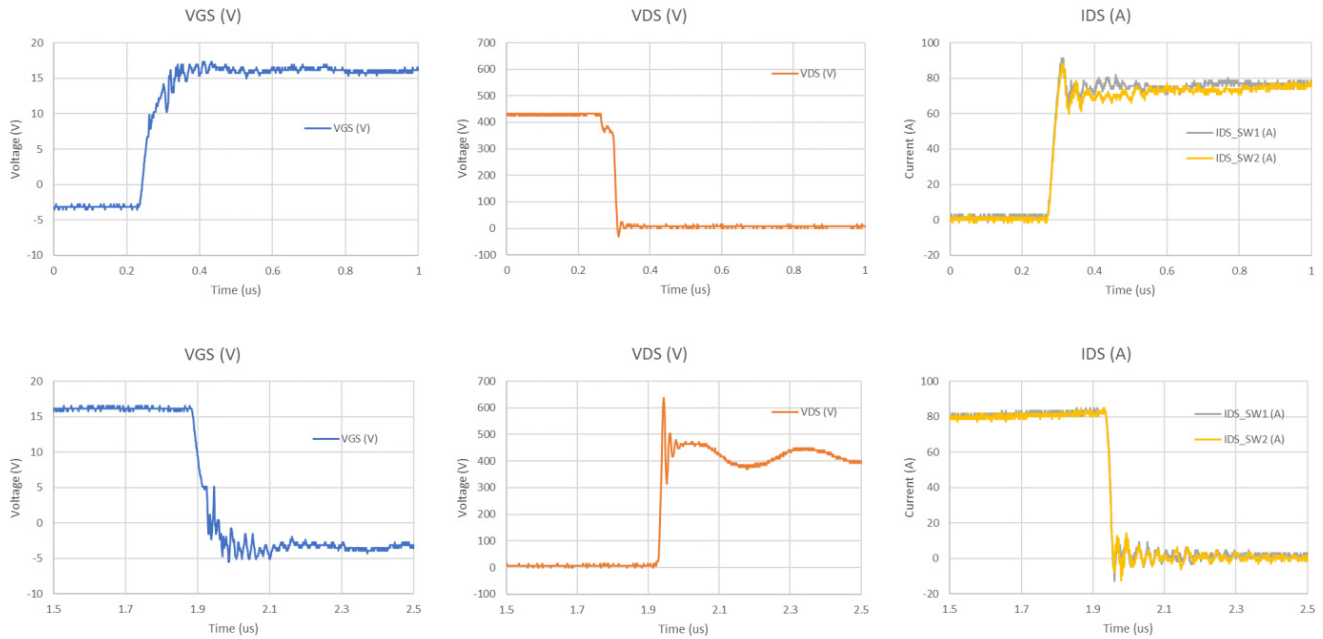


Figure 15. Waveforms of Switching – UJ4SC075006K4S

AND90327/D

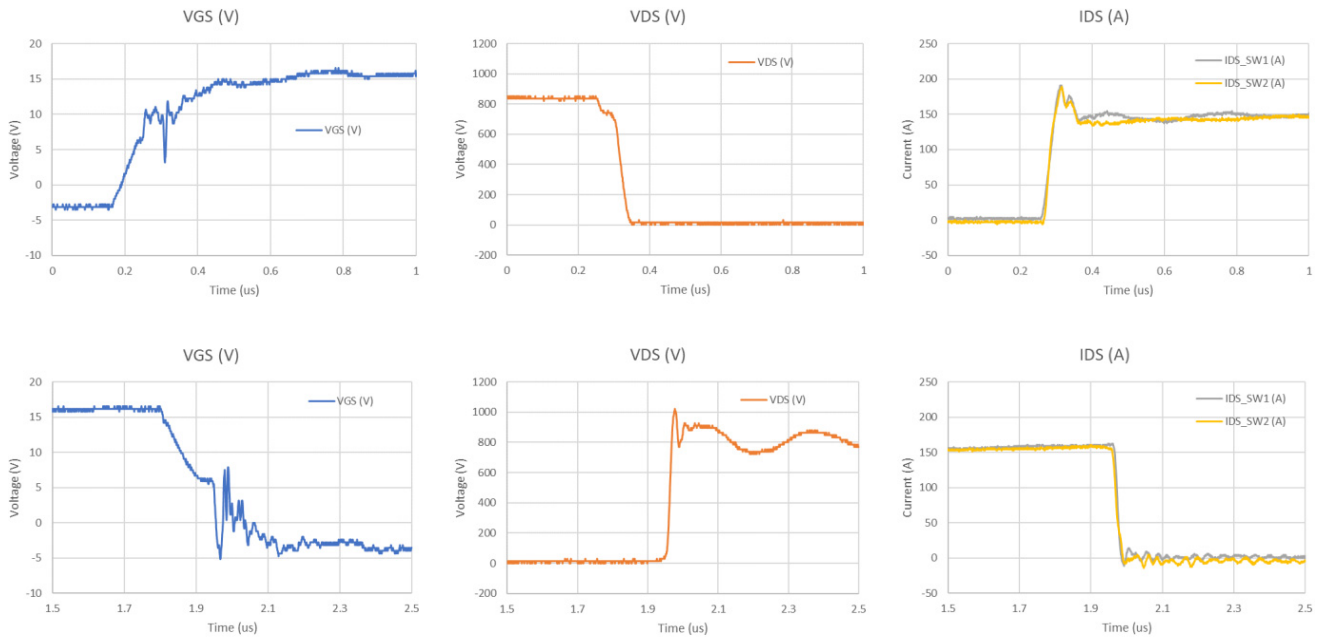


Figure 16. Waveforms of Switching – UF3SC120009K4S

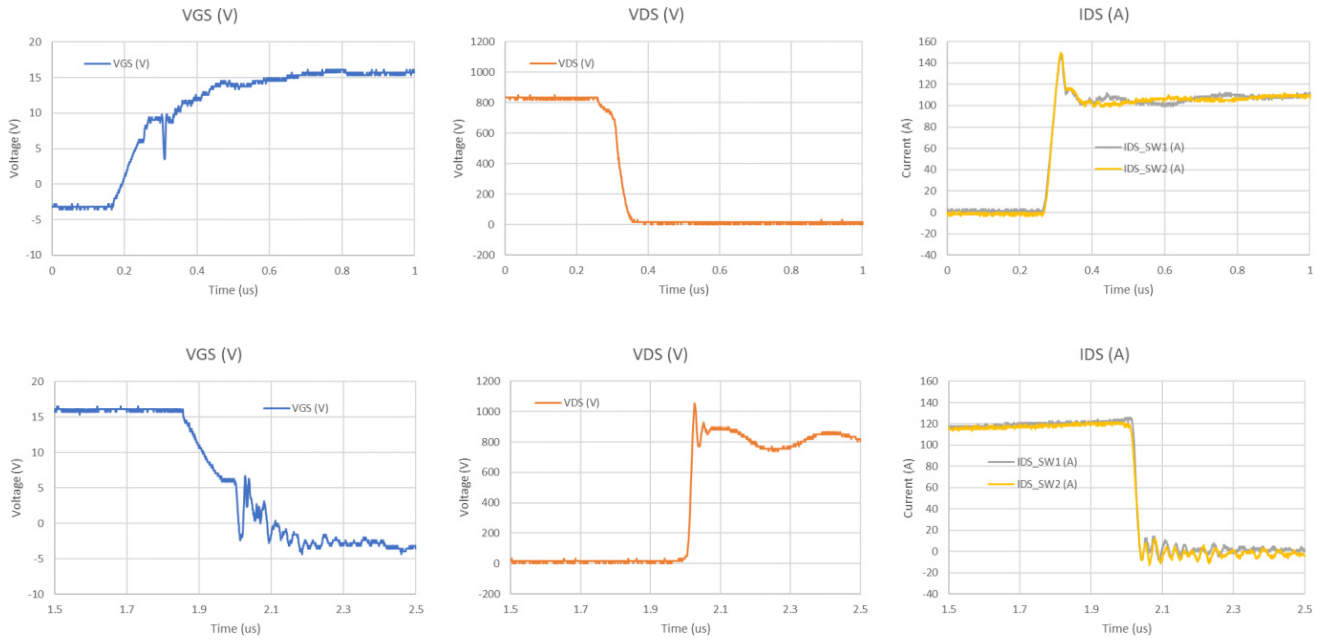


Figure 17. Waveforms of Switching – UF3SC120016K4S

Emulated Mismatch of Gate Threshold

Usually, this mismatch is unavoidable because of the difference, even slight, between real value of each device and typical value in the datasheet. Therefore, to test the effectiveness of ferrite bead and common-mode choke on

gate circuit, a mismatched gate threshold level was emulated by varying the individual gate resistance (one with 6.8 Ohm and another one is 6.2 Ohm) based on UJ4SC075006K4S. Figure 18 to Figure 22 show the waveforms with different measures to mitigate the emulated unmatched gate threshold.

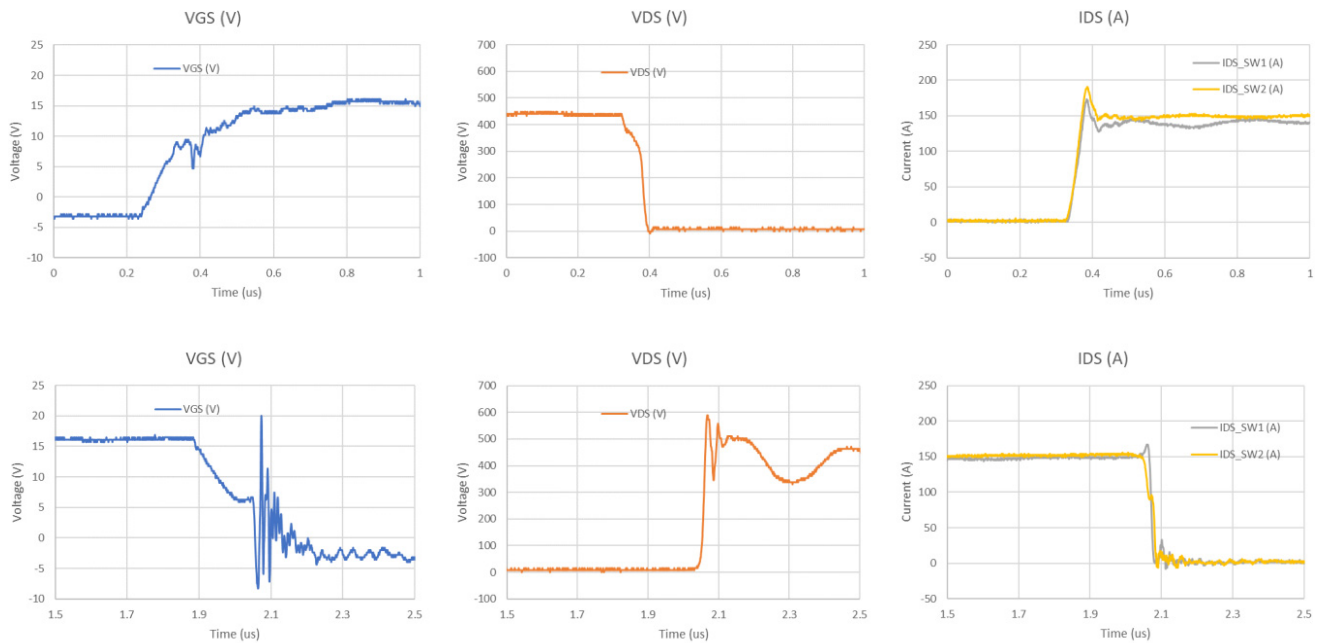


Figure 18. Varied Gate Resistance to Emulate Gate Threshold Mismatch (No Ferrite Bead)

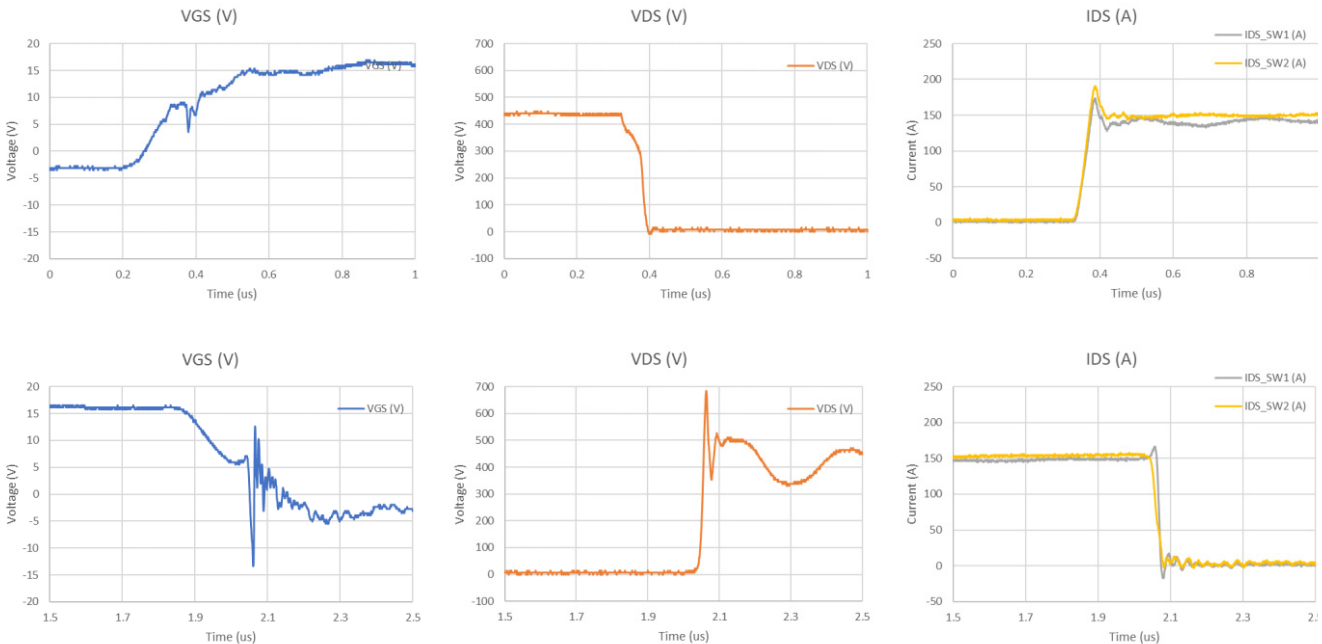


Figure 19. With Ferrite Bead on Gate

AND90327/D

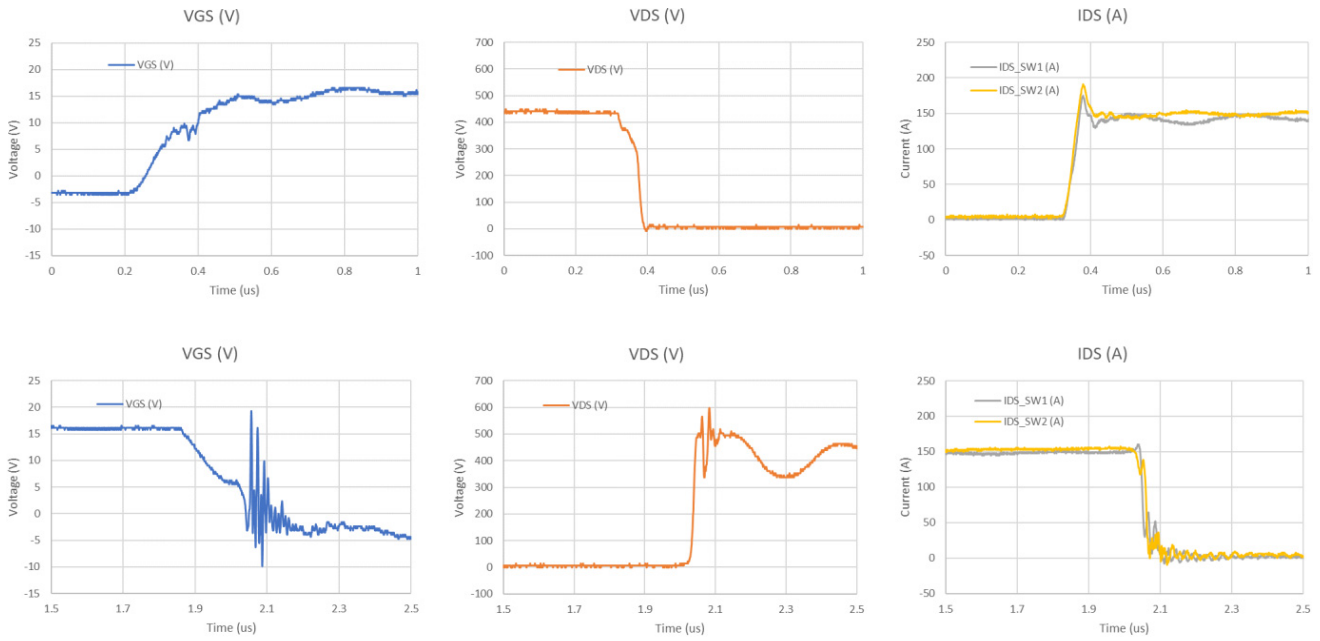


Figure 20. With Ferrite Bead on Kelvin-source

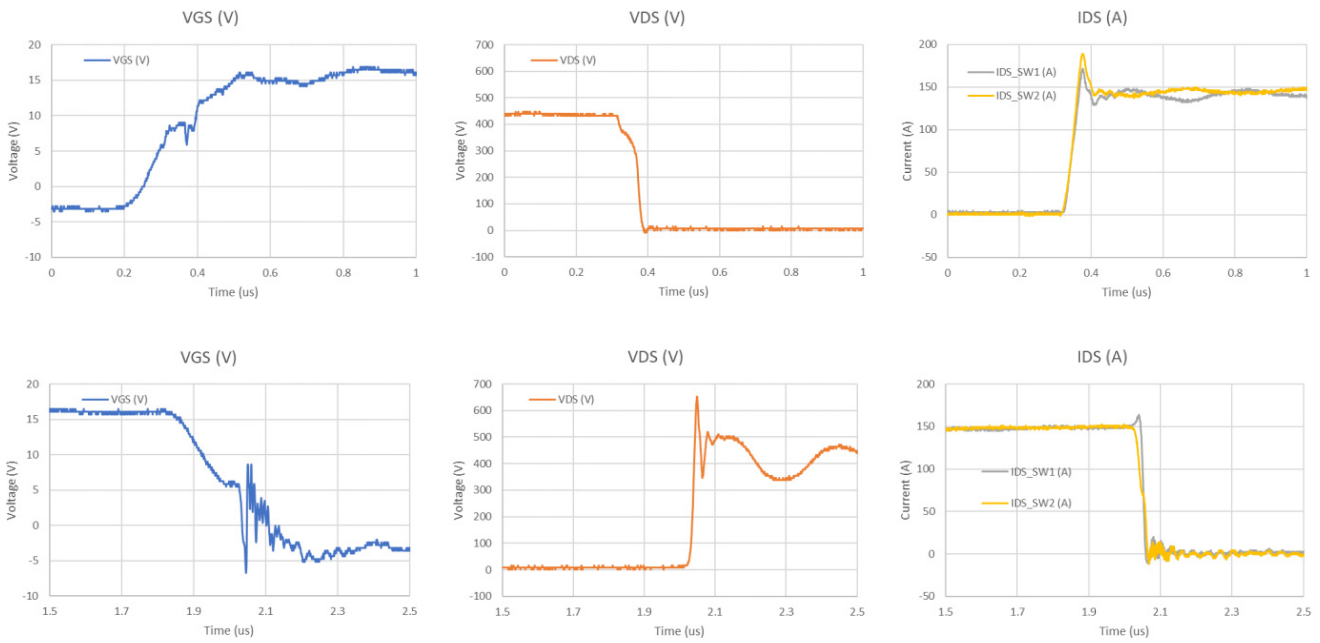


Figure 21. With Ferrite Bead on Both Gate and Kelvin-source

AND90327/D

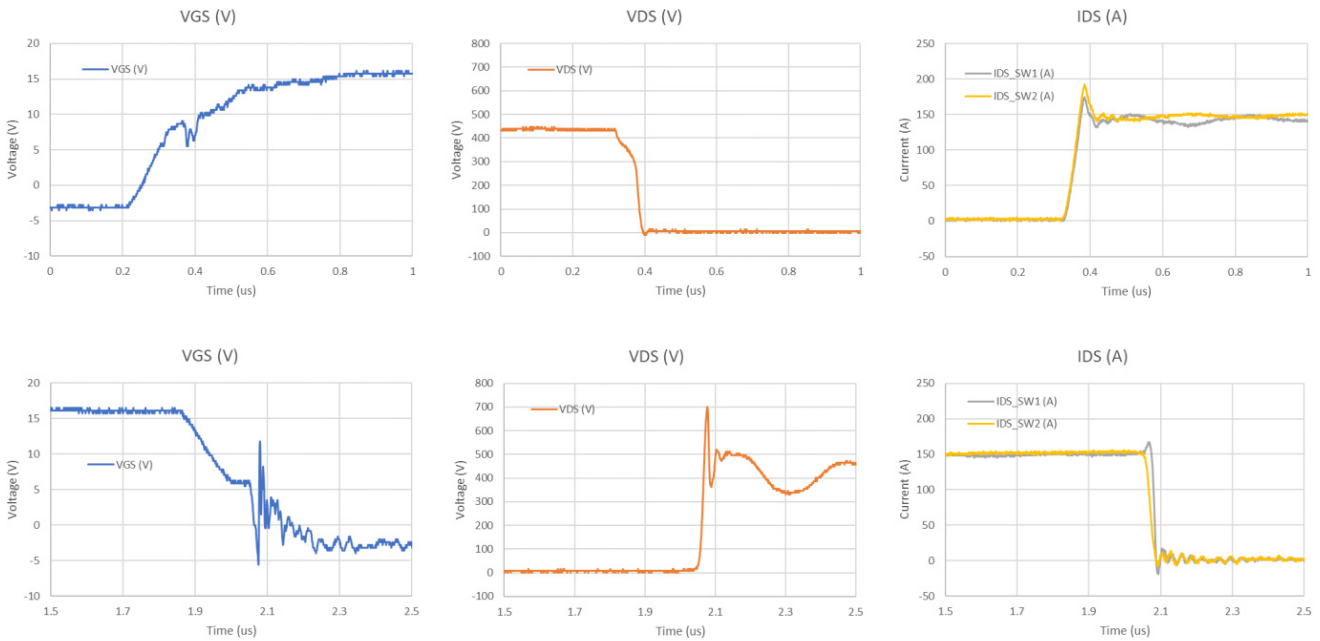


Figure 22. Common-mode Choke on Gate Circuit

From the above test results we can see, common-mode choke on gate circuit is the best way to mitigate the negative effects of V_{GS} and V_{DS} , when the devices have an unavoidable gate threshold mismatch.

Emulated Mismatch of Layout

A symmetrical layout is also an important point for paralleling devices, because asymmetrical layout will cause the difference of drain trace inductance (L_d) and source trace inductance (L_s) of different branches, which will lead to dynamic current mismatch or transient oscillation. Also, whether the position of decoupling capacitor (C_d) is symmetrical in layout is also a factor. Therefore, to test the effectiveness of ferrite bead and common-mode choke on gate circuit, a mismatched L_d/L_s of layout was emulated by varying the length of drain/source lead based on UF3SC120009K4S, and different positions of C_d in layout were compared as well. Figure 23 shows the positions of L_d , L_s and C_d . Figure 24 to Figure 28 show the waveforms with

different measures to mitigate the negative influences of asymmetrical layout.

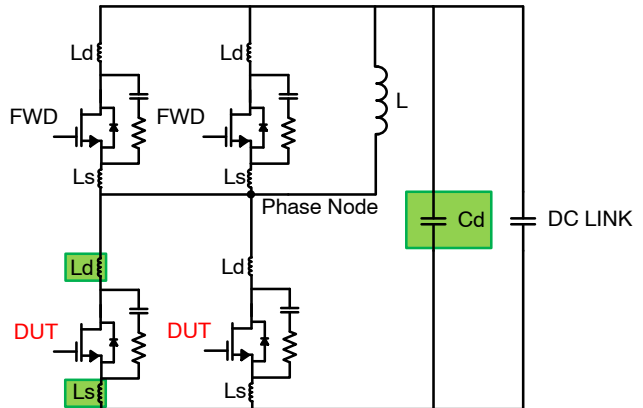


Figure 23. Positions of L_d , L_s and C_d

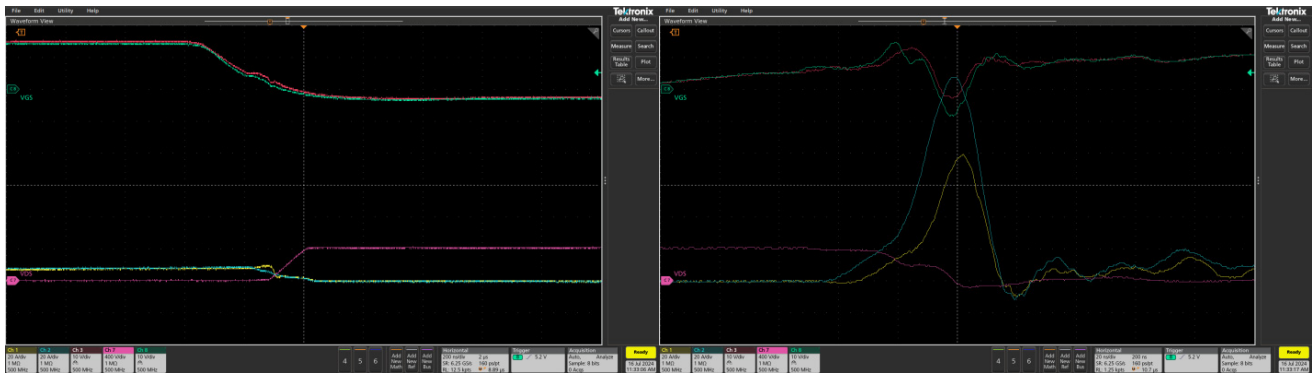


Figure 24. L_d Unbalance with Ferrite Bead on Both Gate and Kelvin-source (DC link 400 V, $I_D = 8$ A)



Figure 25. Ls Unbalance with Ferrite Bead on Both Gate and Kelvin-source (DC link 400 V, $I_D = 6$ A)

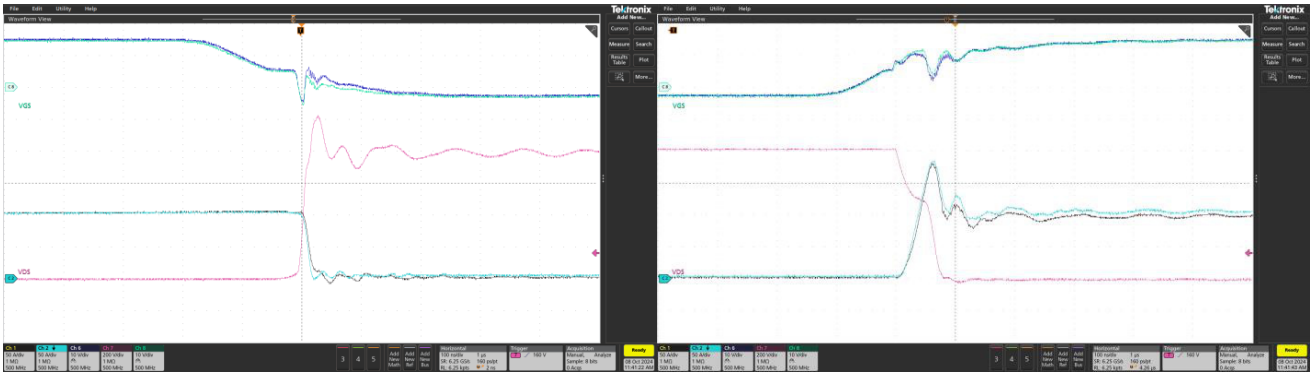


Figure 26. Asymmetrical Position of Cd with Ferrite Bead on Both Gate and Kelvin-source (DC link 800 V, $I_D = 100$ A)

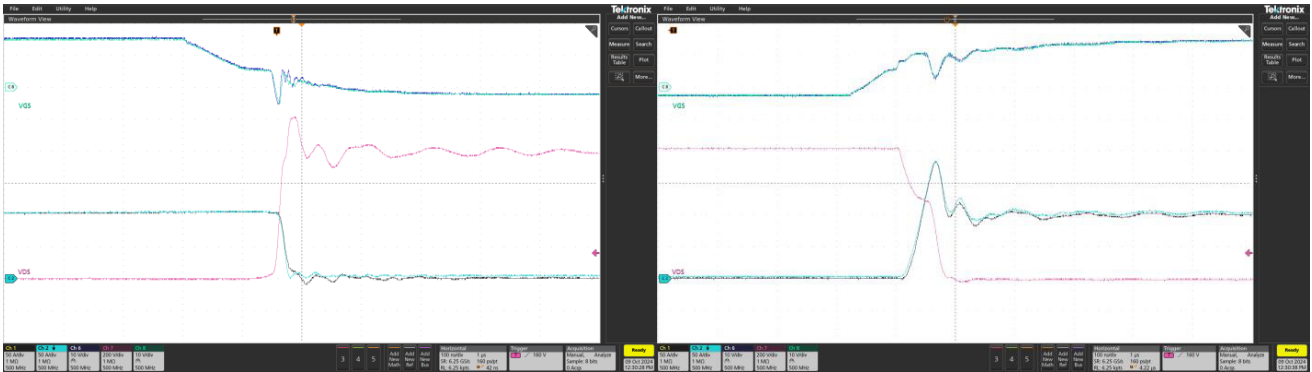


Figure 27. Asymmetrical Position of Cd with CMC on Both Gate and Kelvin-source (DC link 800 V, $I_D = 100$ A)

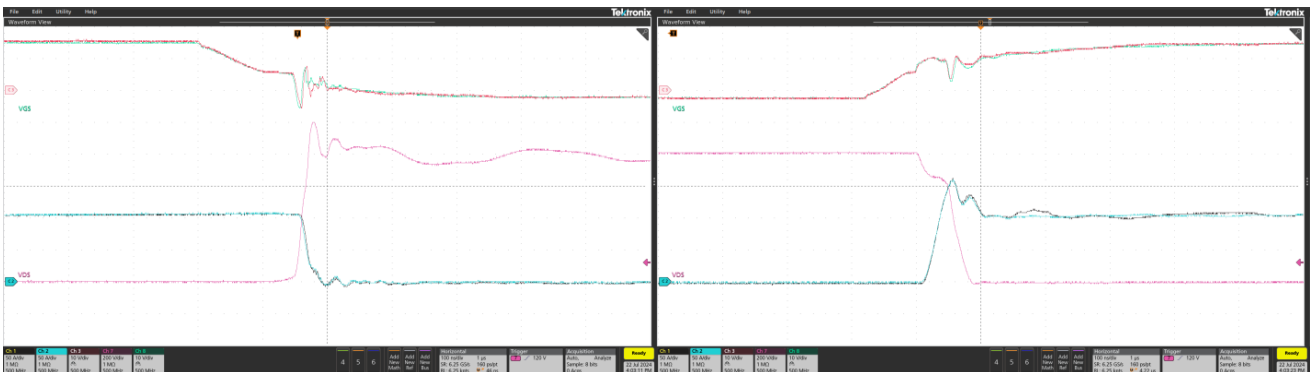


Figure 28. Symmetrical Position of Cd with CMC on Both Gate and Kelvin-source (DC Link 800 V, $I_D = 100$ A)

Figure 24 shows the large dynamic current mismatch caused by very unbalanced L_d . L_d -unbalance can only be solved by symmetrical layout design itself. Figure 25 shows the dynamic current mismatch caused by unbalanced L_s . We didn't set too much unbalanced L_s in this test to avoid the damage of the devices, because L_s will affect not only the power loop but also the gate loop. L_s -unbalance can be solved by the following way: making the layout design symmetrical and adding ferrite bead or common-mode choke (CMC). Adding ferrite bead can solve the L_s unbalance, but not as effective as CMC. Also, compared to CMC, ferrite bead will slow down the device and add switching loss. Therefore, we recommend to use CMC, with a symmetrical layout design for real parallel applications.

After L_d and L_s are balanced, Figure 26 shows the dynamic current mismatch caused by unbalanced C_d , still using ferrite bead in this case. Compared to Figure 26 and

Figure 27, we can see that CMC on gate circuit works better than ferrite bead on balancing the current mismatch as well as the V_{gs} voltage. Also, again, compared to CMC, ferrite bead will slow down the device and add switching loss. But there is an important point we need to notice: CMC can only eliminate the V_{gs} voltage mismatch but can't eliminate the current mismatch. For the current mismatch, CMC can only mitigate it. Therefore, as Figure 28 shows, if we want to eliminate the current mismatch, the only way is placing the C_d as close and symmetrical as possible to the parallel half-bridges. Therefore, again, we recommend to use CMC, with a symmetrical layout design for real parallel applications.

Best Practices of Design and Test

- Device snubbers are required for successful paralleling of SiC FETs, showing in Figure 29. Starting values are recommended in [User Guide](#).

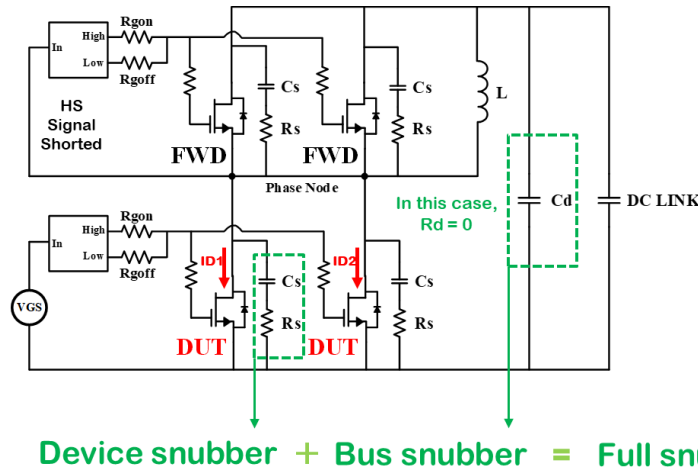


Figure 29. Device Drain-to-source Snubber and Bus Snubber are Required for Successful Paralleling SiC FETs

- Symmetric layout is critical, it was verified by tests that the asymmetric drain & source stray inductances and the position of decoupling capacitors can cause high switching current difference.
- Common-mode choke on gate and source loop is the most effective way to eliminate the transient current mismatch or transient oscillation if the little mismatch of gate threshold and the little asymmetrical layout are unavoidable.
- Ferrite core (toroid) current transformer (CT) is not recommended because it will cause unbalanced drain stray inductance, because of the mutual inductance between lead and core. Rogowski coil current probe should be used for current measurement, shown in Figure 30.

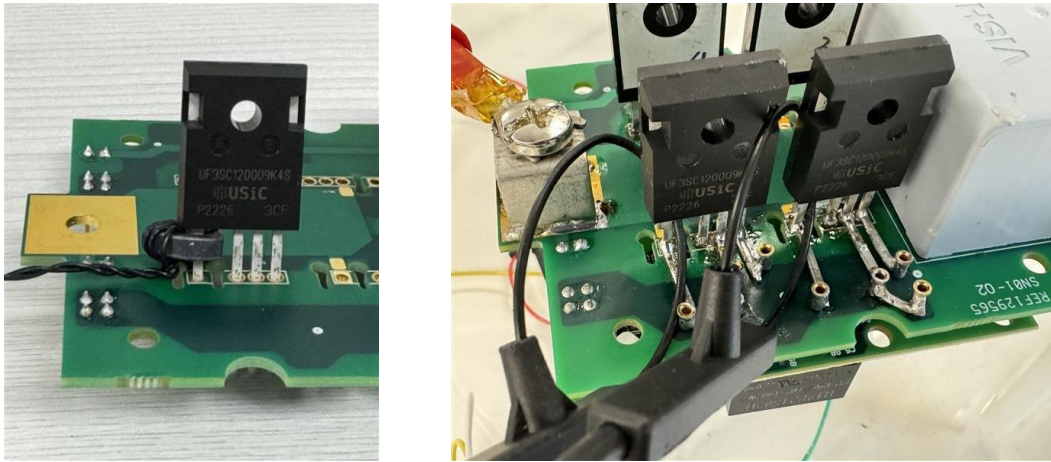


Figure 30. Current Measurement Method, Left: Ferrite Core CT (Not Recommended); Right: Rogowski Coil

- For voltage measurement, differential probe is not recommended because of its big loop of lead and wire

(will add loop inductance), recommend to use passive probe with small loop inductance like shown in Figure 31.

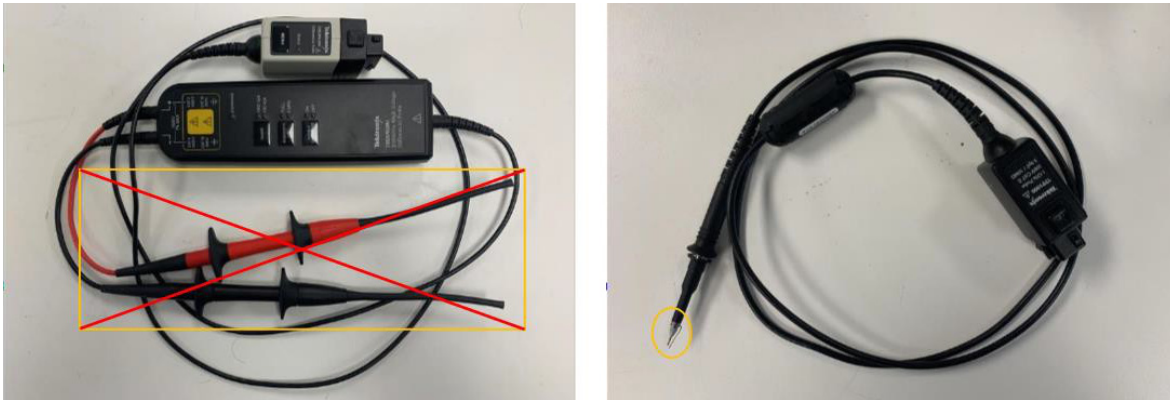


Figure 31. Voltage Probe, Left: Differential Probe (Not Recommended); Right: Passive Probe with Short Loop

- Common mode noise is easy to be coupled into the gate to source signal measurement because the high dv/dt , one way to filter out this noise is to add ferrite core on to the voltage probe cables, and twist these cables, as shown in Figure 32.

Summary

Despite their high gain and switching slew rates, SiC JFET cascodes can be successfully paralleled by following the guidelines outlined in this application note. Although only two parallel parts were discussed, these parallel guidelines apply to any number of parallel parts. Finally, these guidelines apply not only to cascodes, but also to any other type of voltage-gated power transistors.

For applications like high power inverter which need more than two discrete in parallel, low dv/dt required and device RC snubber is not appreciated, **onsemi** recommends using the Combo-FET device.



Figure 32. Filtering Common Mode Gate to Source Noise with Ferrite Core on Twisted Wires

AND90327/D

REVISION HISTORY

Revision	Description of Changes	Date
3	Update the title and a part of the text of Chinese version on page 1. Add the revision history table.	6/4/2025

onsemi, **Onsemi**, and other names, marks, and brands are registered and/or common law trademarks of Semiconductor Components Industries, LLC dba "**onsemi**" or its affiliates and/or subsidiaries in the United States and/or other countries. **onsemi** owns the rights to a number of patents, trademarks, copyrights, trade secrets, and other intellectual property. A listing of **onsemi**'s product/patent coverage may be accessed at www.onsemi.com/site/pdf/Patent-Marking.pdf. **onsemi** reserves the right to make changes at any time to any products or information herein, without notice. The information herein is provided "as-is" and **onsemi** makes no warranty, representation or guarantee regarding the accuracy of the information, product features, availability, functionality, or suitability of its products for any particular purpose, nor does **onsemi** assume any liability arising out of the application or use of any product or circuit, and specifically disclaims any and all liability, including without limitation special, consequential or incidental damages. Buyer is responsible for its products and applications using **onsemi** products, including compliance with all laws, regulations and safety requirements or standards, regardless of any support or applications information provided by **onsemi**. "Typical" parameters which may be provided in **onsemi** data sheets and/or specifications can and do vary in different applications and actual performance may vary over time. All operating parameters, including "Typicals" must be validated for each customer application by customer's technical experts. **onsemi** does not convey any license under any of its intellectual property rights nor the rights of others. **onsemi** products are not designed, intended, or authorized for use as a critical component in life support systems or any FDA Class 3 medical devices or medical devices with a same or similar classification in a foreign jurisdiction or any devices intended for implantation in the human body. Should Buyer purchase or use **onsemi** products for any such unintended or unauthorized application, Buyer shall indemnify and hold **onsemi** and its officers, employees, subsidiaries, affiliates, and distributors harmless against all claims, costs, damages, and expenses, and reasonable attorney fees arising out of, directly or indirectly, any claim of personal injury or death associated with such unintended or unauthorized use, even if such claim alleges that **onsemi** was negligent regarding the design or manufacture of the part. **onsemi** is an Equal Opportunity/Affirmative Action Employer. This literature is subject to all applicable copyright laws and is not for resale in any manner.

ADDITIONAL INFORMATION

TECHNICAL PUBLICATIONS:
Technical Library: www.onsemi.com/design/resources/technical-documentation
onsemi Website: www.onsemi.com

ONLINE SUPPORT: www.onsemi.com/support
For additional information, please contact your local Sales Representative at www.onsemi.com/support/sales