



Powering Innovation: 12 V Electric Power Steering with POWERTRENCH[®] MOSFET in Top Cool Package

Powering Innovation: 12 V Electric Power Steering with **POWERTRENCH[®]** MOSFET in Top Cool Package

Overview

In the fast-paced world of automotive industry, adaptability and innovation are the key. This success story showcases how **onsemi** team's dedication to understanding and addressing customer pain points resulted in the timely delivery of an innovative solution for the 12 V Electric Power Steering system (EPS).

The Challenge:

A potential customer urgently contacted our sales team due to a last-minute issue with their MOSFET supplier. With their production schedule at risk, the customer needed immediate support to source a suitable replacement for MOSFET.

Our Approach:

Despite not having the exact MOSFET package the customer required in our existing portfolio, we saw an opportunity to demonstrate our commitment to customer success. The sales team escalated the issue and, recognizing the urgency of the customer situation, contacted the Product Line Manager to discuss the specifics of the customer requirements. The Product Line Manager identified a potential solution which was a combination of our best-in-class [POWERTRENCH T6 MOSFET](#) and highly innovative, thermal efficient [Top Cool Package](#). Our team collaborated cross-functionally to tailor an existing solution to meet the specific requirements of the customer, significantly accelerating our response time. We prioritized the development of the samples and conducted rigorous testing to ensure that our product met the performance and reliability required for safety critical applications such as EPS.

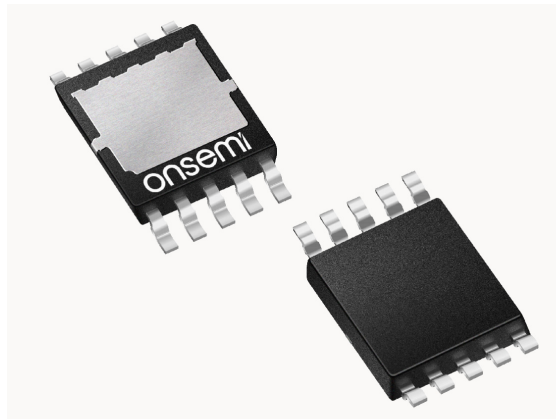


Figure 1. Power 56 TCPAK

Through our collaborative efforts and customer-centric approach, we were able to achieve remarkable outcomes.

- We provided MOSFET that met the customer's specifications for 12 V EPS Application.
- Our quick response and solution helped the customer maintain their schedule despite the last-minute supplier issue.
- The new MOSFET design exceeded the performance requirements of the customer's applications.
- Our responsiveness and dedication to solving customer problems laid the foundation for an ongoing, trusted relationship.

Our success story exemplifies **onsemi's** core values: Customer-First Mindset – Agility and Innovation – Teamwork and Collaboration – Commitment to quality.

While our [POWERTRENCH T6 MOSFETs](#) successfully addressed the requirements of EPS applications, we have made advancements in MOSFET technology with the release of [POWERTRENCH T10 MOSFETs](#) which can address the requirements of 24 V and 48 V EPS system.

Automotive – Electric Power Steering (EPS)

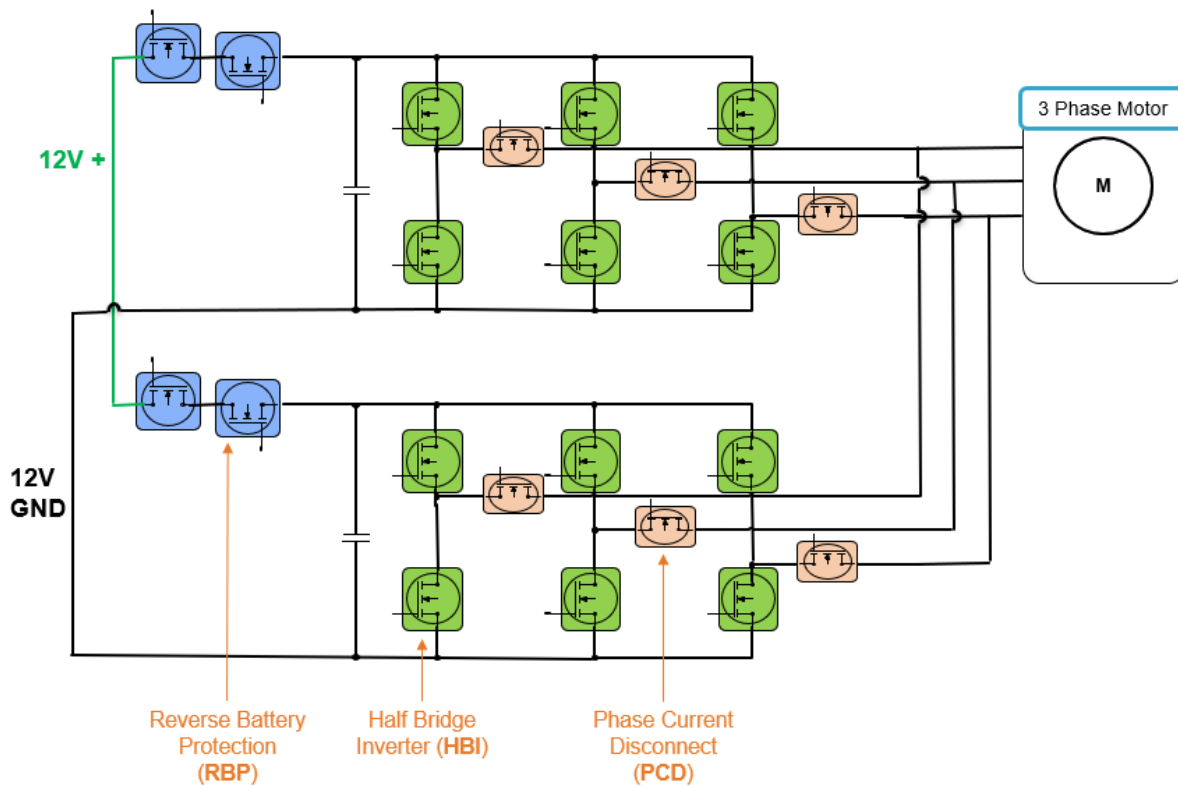


Figure 2. Electric Power Steering System (EPS) Block Diagram

Table 1. 12 V EPS PRODUCT RECOMMENDATIONS – T10 40 V

OPN	Package	$R_{DS(on)}$	Solution
NVMFWS0D9N04XM	SO-8FL	0.96	HBI, PCD
NVMFWS0D7N04XM	SO-8FL	0.7	HBI, PCD
NVMFWS1D3N04XM	SO-8FL	1.3	HBI, PCD
NVMTS0D6N04XM	PWR88	0.6	RBP

Table 2. 48 V EPS PRODUCT RECOMMENDATIONS – T10 80 V

OPN	Package	$R_{DS(on)}$	Solution
NVMFWS1D5N08X	SO-8FL	1.5	HBI
NVMFWS1D9N08X	SO-8FL	1.9	HBI
NVMFWS2D1N08X	SO-8FL	2.1	HBI
NVMFWS2D5N08X	SO-8FL	2.5	HBI
NVMFWS3D0N08X	SO-8FL	3.0	HBI

Additional Resource:

- [Top Cool Package for Power Discrete MOSFETs](#)
- [Contact Sales](#)



REVISION HISTORY

Revision	Description of Changes	Date
1	Created a dual-language document – Chinese version added	6/4/2025

POWERTRENCH is a registered trademark of Semiconductor Components Industries, LLC dba "onsemi" or its affiliates and/or subsidiaries in the United States and/or other countries.

onsemi, **Onsemi**, and other names, marks, and brands are registered and/or common law trademarks of Semiconductor Components Industries, LLC dba "onsemi" or its affiliates and/or subsidiaries in the United States and/or other countries. **onsemi** owns the rights to a number of patents, trademarks, copyrights, trade secrets, and other intellectual property. A listing of **onsemi**'s product/patent coverage may be accessed at www.onsemi.com/site/pdf/Patent-Marking.pdf. **onsemi** reserves the right to make changes at any time to any products or information herein, without notice. The information herein is provided "as-is" and **onsemi** makes no warranty, representation or guarantee regarding the accuracy of the information, product features, availability, functionality, or suitability of its products for any particular purpose, nor does **onsemi** assume any liability arising out of the application or use of any product or circuit, and specifically disclaims any and all liability, including without limitation special, consequential or incidental damages. Buyer is responsible for its products and applications using **onsemi** products, including compliance with all laws, regulations and safety requirements or standards, regardless of any support or applications information provided by **onsemi**. "Typical" parameters which may be provided in **onsemi** data sheets and/or specifications can and do vary in different applications and actual performance may vary over time. All operating parameters, including "Typicals" must be validated for each customer application by customer's technical experts. **onsemi** does not convey any license under any of its intellectual property rights nor the rights of others. **onsemi** products are not designed, intended, or authorized for use as a critical component in life support systems or any FDA Class 3 medical devices or medical devices with a same or similar classification in a foreign jurisdiction or any devices intended for implantation in the human body. Should Buyer purchase or use **onsemi** products for any such unintended or unauthorized application, Buyer shall indemnify and hold **onsemi** and its officers, employees, subsidiaries, affiliates, and distributors harmless against all claims, costs, damages, and expenses, and reasonable attorney fees arising out of, directly or indirectly, any claim of personal injury or death associated with such unintended or unauthorized use, even if such claim alleges that **onsemi** was negligent regarding the design or manufacture of the part. **onsemi** is an Equal Opportunity/Affirmative Action Employer. This literature is subject to all applicable copyright laws and is not for resale in any manner.

ADDITIONAL INFORMATION

TECHNICAL PUBLICATIONS:

Technical Library: www.onsemi.com/design/resources/technical-documentation
onsemi Website: www.onsemi.com

ONLINE SUPPORT: www.onsemi.com/support

For additional information, please contact your local Sales Representative at www.onsemi.com/support/sales